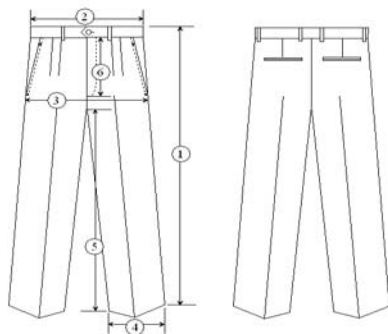


	SIZE CHART	Pants Waist	Jacket Shoulder	Chest- (inches)	Waist-(inches)	Height	Weight -Lbs	Pants Length
MENS	36 Short	30	18 3/4	36-38	27-30	5'6-5'8"	120-140	OPEN INSEAM
	36 Reg					5'7-5'9"		
	38 Short	32	19 1/4	38-40	30-32	5'6-5'8"	135-155	
	38 Regular					5'7-5'9"	140-160	
	38 Long	34	19 3/4	40-42	31-34	5'8-5'10"	135-155	
	40 Short					5'7-5'9"	150-170	
	40 Regular	36	20 1/4	42-44	33-36	5'8-5'10"	150-170	
	40 Long					6'0-6'3"	150-170	
	42 Short	38	20 3/4	44-46	35-38	5'8-5'10"	170-190	
	42 Regular					5'9-5'11"	175-195	
	42 Long	40	21 1/4	46-48	37-40	6'2-6'5"	170-190	
	44 Short					5'9-5'11"	190-210	
	44 Regular	43	21 3/4	48-50	39-42	5'10"-6'1"	195-215	
	44 Long					6'2-6'5"	190-210	
	46 Regular	45	22 1/4	50-52	41-44	5'10-6'1"	205-225	
	46 Long					6'0-6'2"	210-230	
	48 Regular	47	22 3/4	52-54	43-46	6'0-6'2"	220-240	
	48 Long					6'1-6'3"	230-250	
	50 Regular	49	23 1/4	54-56	45-48	6'0-6'2"	260-280	
	50 Long					6'1-6'3"	265-285	
	52 Regular	52	24 3/4	58-60	47-50	6'0-6'2"	265-285	
	52 Long					6'2-6'4"	270-290	
	54 Regular	54	25 1/4	60-62	49-52	6'0-6'2"	270-290	
	54 Long					6'2-6'4"	275-295	
	56 Regular	56	26 3/4	62-64	51-54	6'0-6'2"	275-295	
	56 Long					6'3-6'5"	280-300	
	58 Regular	58	27 1/4	64-66	53-56	6'0-6'2"	280-300	
	58 Long					6'3-6'5"	285-305	
	60 Regular	62	28 1/4	66-68	55-58	6'1-6.3"	285-305	
	60 Long					6'3-6'5"	290-310	
	62 Regular	64	29 1/4	68-70	57-60	6'0-6'2"	280-300	
	62 Long					6'3-6'5"	285-305	
64 regular	66	30 1/4	70-72	59-62	6'1-6.3"	290-310		
64 Long					6'3-6'5"	295-315		
66 regular	66	30 1/4	70-72	59-62	6'1-6.3"	295-315		
66 Long					6'4-6'6"	300-320		
68 Regular								
68 Long								
BOYS	SIZE	Pants Waist	Weight	Height	Sleeves	OPEN INSEAM	Simple things you might find helpful to remember about BOY'S SUIT 1. Buy a little big, not to point out of being sloppy or looking like the suit belongs to an older brother 2. The fit of the jacket is most important. The fit of the pants is secondary 3. The current style for boys is to wear their pants low, or compromise how they want them fitted.	
	4	22	38	40	12			
	6	23	49	46	14.5			
	8	24	59	50	17			
	10	25	73	54	18			
	12	26	87	58	19			
	14	27	100	61	21			
	16	28	115	64	21.5			
	18	29	126	66	22			
	20	30	138	68	23			

Hat Size Measurements

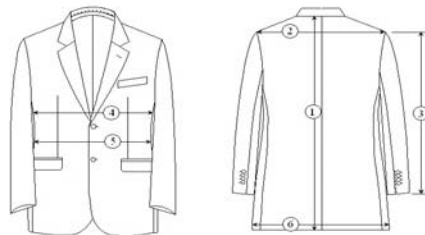
Size	Hat Size	Inches
S	6 3/4	21 1/8
	6 7/8	21 1/2
M	7	21 7/8
	7 1/8	22 1/4
L	7 1/4	22 5/8
	7 3/4	23
XL	7 1/2	23 1/2
	7 5/8	23 7/8

Measurement



NO.	Placement
1	Outside Length
2	Waist
3	Hip
4	Leg
5	Inside Length
6	Fly

Measurement



NO.	Placement
1	Back Length
2	Shoulder
3	Sleeve Length
4	Chest
5	Waist
6	Bottom